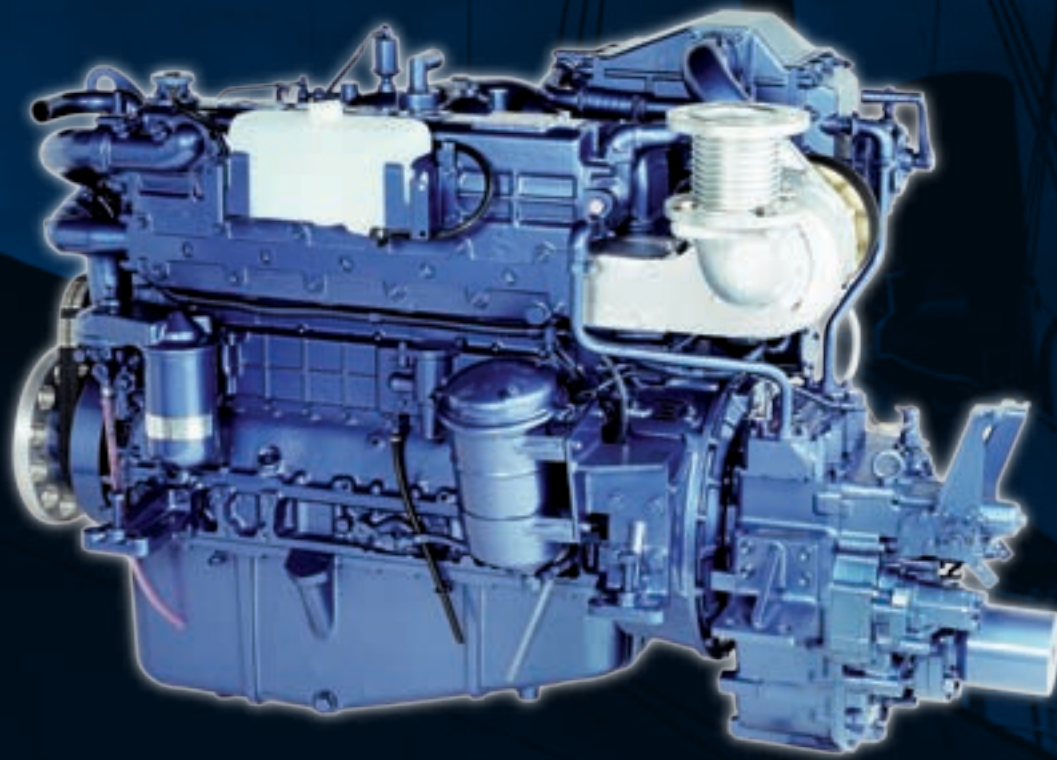


Isuzu Commercial Marine



6SD1TCX

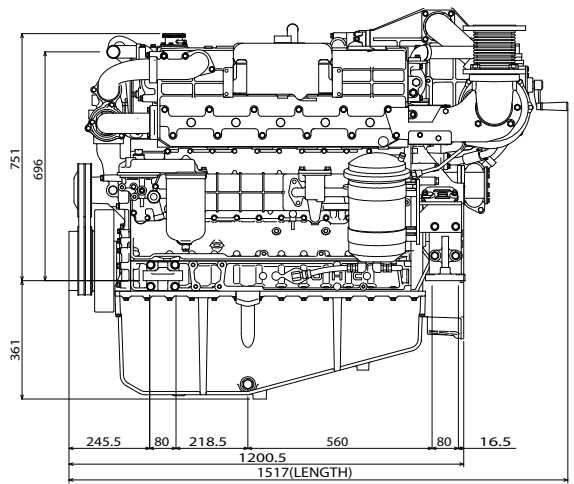
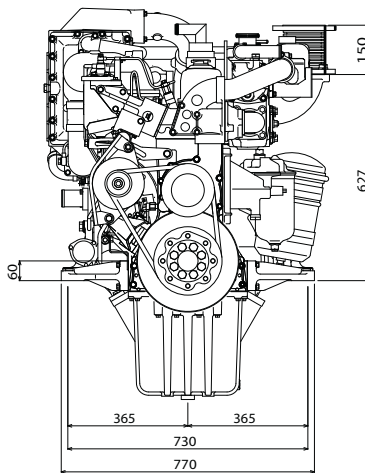
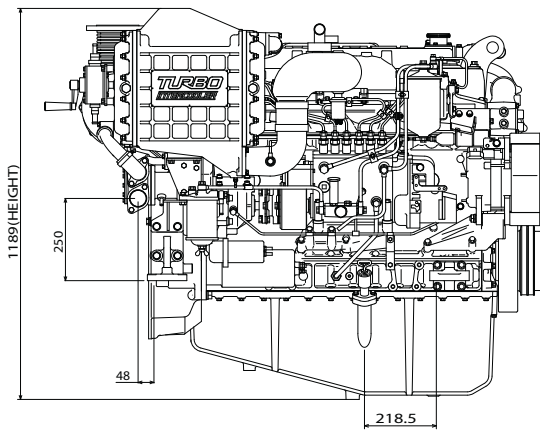
374 HP @ 2300 RPM

Features:

- 9.5 liter displacement
- Bore and Stroke: 4.63 x 5.71
- Torque: 1018 lbs./ft.
- Mechanical fuel system with proven reliability
- Oversized air cleaner
- Oil filter with service drains
- Water/fuel separator
- 24 Volt electrical system
- Oil sump pump
- Deep sump oil pan
- Dry fit cylinder liners
- Glow plugs for cold start
- Zinc anode protection
- Several fluid service drains
- Complete instrument panel

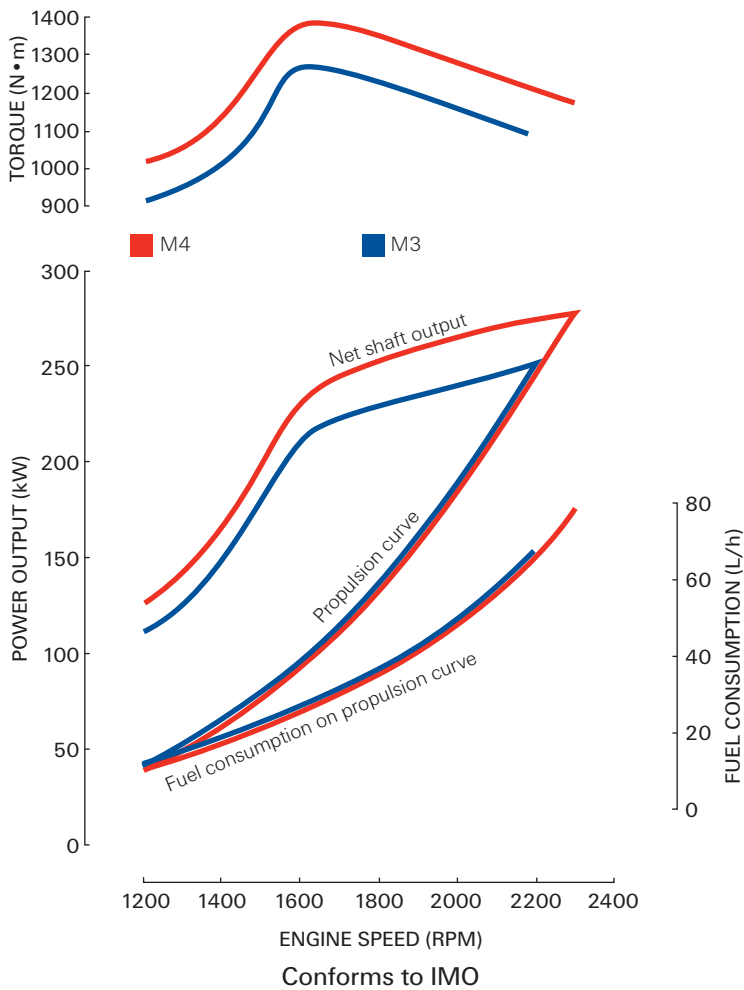
Isuzu power. Make waves.

ISUZU
DIESEL



Weight Bobtail: 1035 kg (2283 lbs.)

6SD1TCX Performance Curves



Standard Equipment:

- 24V, 7.4 kW starter
- 24V, 40 amp alternator
- Left hand rotation (looking at flywheel)
- Seawater pump
- Dry exhaust elbow
- Oil sump pump
- Owner's manual

Available Options:

- Nikko marine transmissions
- Front add-on pulley
- Vibration isolators
- Extended wire harness
- Dual station panel
- Bilge pump
- Service and parts manuals

Marine Rating (M3)

Marine propulsion engines that operate at full power less than 60% of the time. Remaining 40% of the time they should operate at or below 200 rpm of maximum rated rpm. These engines usually operate less than 3,000 hours per year and include single rod commercial fishing boats, passenger ships and harbor ferries.

Marine Rating (M4)

Marine propulsion engines that operate at full power less than 40% of the time. Remaining 60% of the time they should operate at or below 200 rpm of maximum rated rpm. These engines usually operate less than 2,000 hours per year and include patrol boats, rescue boats, fire boats and pole & line fishing boats.

Isuzu Corporate Headquarters

46401 Commerce Center Drive
Plymouth, Michigan 48170
Phone: 734.582.9470
Fax: 734.455.7581

Lunenburg Foundry & Engineering Limited

PO BOX 1240 53 Falkland St.
Lunenburg, NS, B0J 2C0
Ph. 902.634-8827
Fax. 902.634.8886
Toll Free. 1-877-259-LIFE (5433)
Email. mail@lunenburgfoundry.com
http://www.lunenburgfoundry.com

