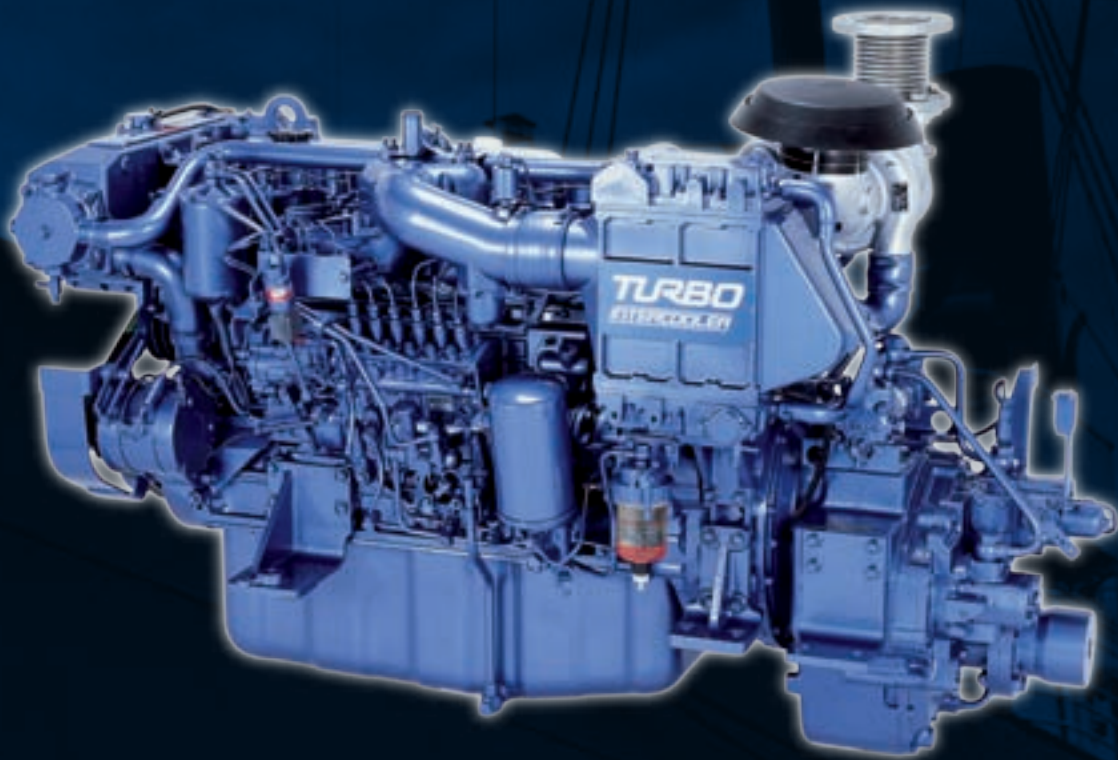


# Isuzu Commercial Marine



## 6HE1TCX

344 HP @ 2800 RPM

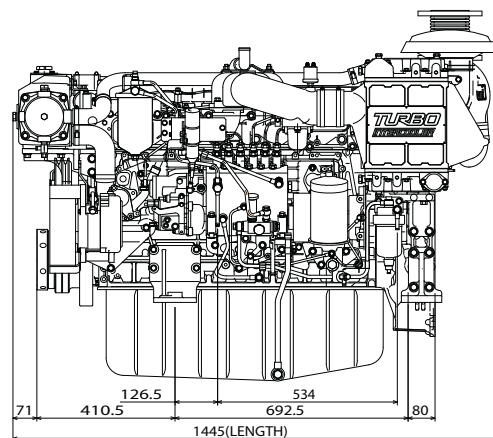
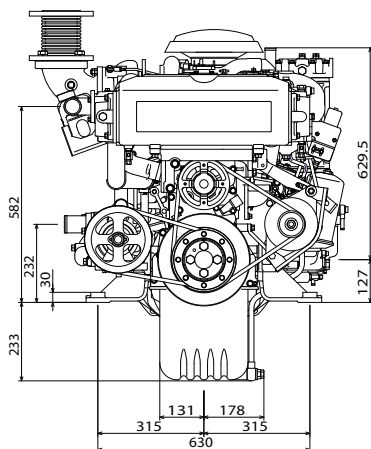
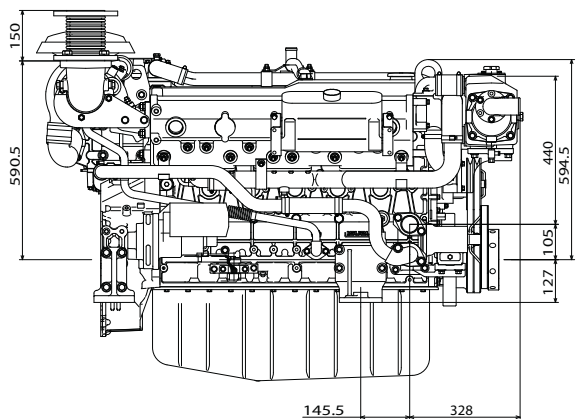
### Features:

- 7.2 liter displacement
- Bore and Stroke: 4.33 x 4.92
- Torque: 870 lbs./ft.
- Mechanical fuel system with proven reliability
- Oversized air cleaner
- Oil filter with service drains
- Water/fuel separator
- 24 Volt electrical system
- Oil sump pump
- Deep sump oil pan
- Dry fit cylinder liners
- Glow plugs for cold start
- Zinc anode protection
- Several fluid service drains
- Complete instrument panel

Isuzu power. Make waves.

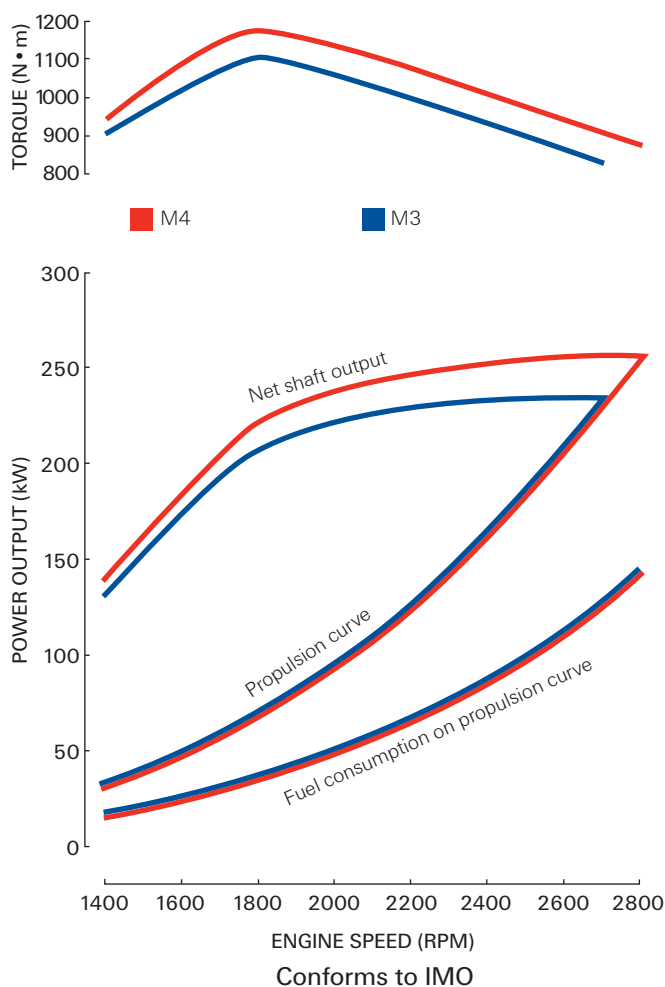
**ISUZU**

**DIESEL**



Weight Bobtail: 720 kg (1598 lbs.)

### 6HE1TCX Performance Curves



### Standard Equipment:

- 24V, 4.5 kW starter
- 24V, 50 amp alternator
- Left hand rotation (looking at flywheel)
- Seawater pump
- Dry exhaust elbow
- Oil sump pump
- Owner's manual

### Available Options:

- Nikko marine transmissions
- Front add-on pulley
- Vibration isolators
- Extended wire harness
- Dual station panel
- Bilge pump
- Service and parts manuals

### Marine Rating (M3)

Marine propulsion engines that operate at full power less than 60% of the time. Remaining 40% of the time they should operate at or below 200 rpm of maximum rated rpm. These engines usually operate less than 3,000 hours per year and include single rod commercial fishing boats, passenger ships and harbor ferries.

### Marine Rating (M4)

Marine propulsion engines that operate at full power less than 40% of the time. Remaining 60% of the time they should operate at or below 200 rpm of maximum rated rpm. These engines usually operate less than 2,000 hours per year and include patrol boats, rescue boats, fire boats and pole & line fishing boats.

### Isuzu Corporate Headquarters

46401 Commerce Center Drive  
Plymouth, Michigan 48170  
Phone: 734.582.9470  
Fax: 734.455.7581

### Lunenburg Foundry & Engineering Limited

PO BOX 1240 53 Falkland St.  
Lunenburg, NS, B0J 2C0  
Ph. 902.634-8827  
Fax. 902.634.8886  
Toll Free. 1-877-259-LIFE (5433)  
Email. mail@lunenburgfoundry.com  
http://www.lunenburgfoundry.com

